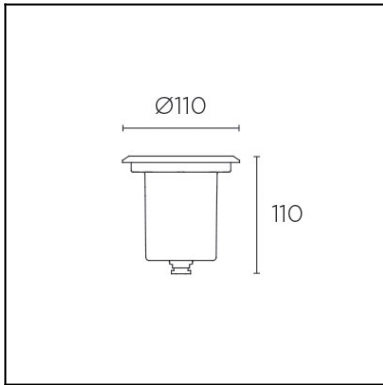
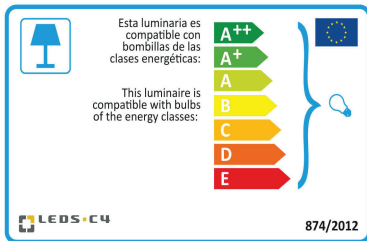




The photograph may not match the reference exactly. Please read the product description to identify the finish.



[Download photometric file .ldt /.ies](#)



[Click on image to download energy label](#)

TECHNICAL CHARACTERISTICS

Type:	SUBMERSIBLE
IP Protection degrees:	IP68 (1m)
Light source 1:	1 x GU5.3
Bulb specified at the product label	50W
IK Protection degrees:	IK08
Voltage / Frequency:	12VAC
Warranty:	2
Units per box:	12
Net Weight (Kg):	0.675
EAN Code:	8435381436865



MATERIALS / FINISHES

Structure material: Stainless steel AISI316

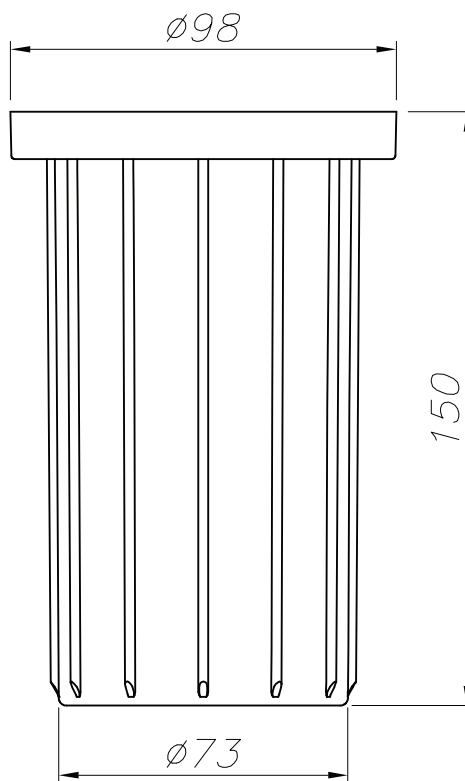
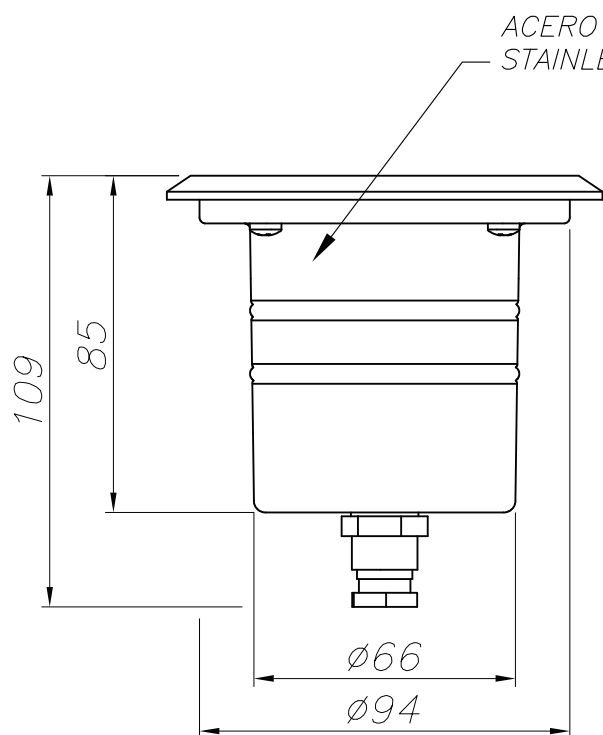
Diffuser material: Glass

Structure finish: Polished

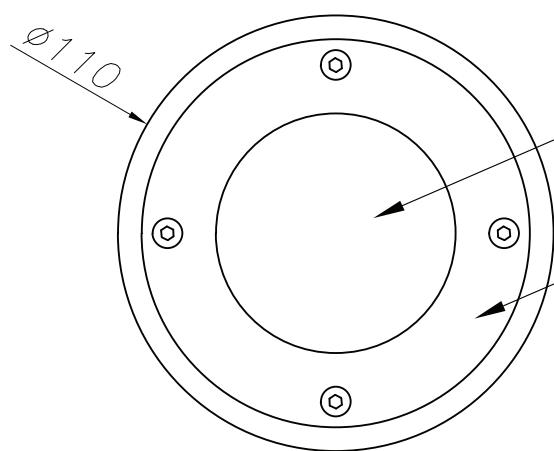
Diffuser finish: Tempered

GEAR

This item requires gear. It is not included.



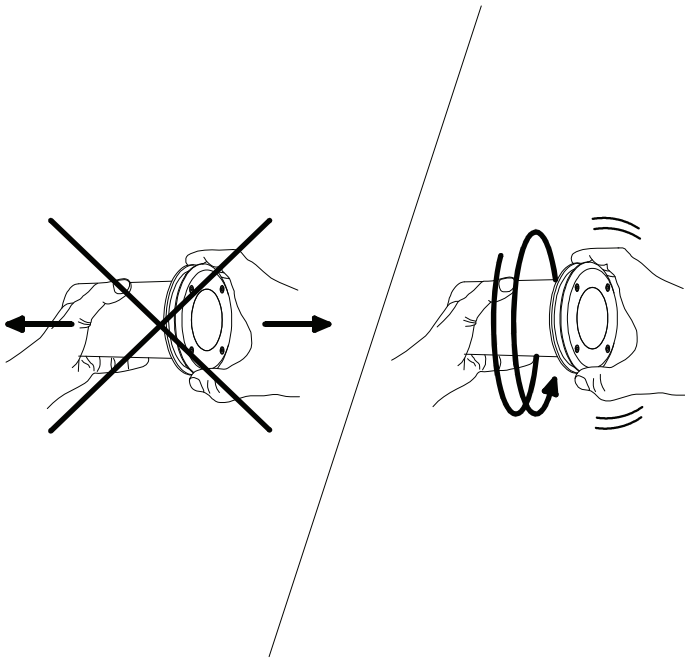
CAJA DE EMPOTRAR
FLUSH FITTING BOX



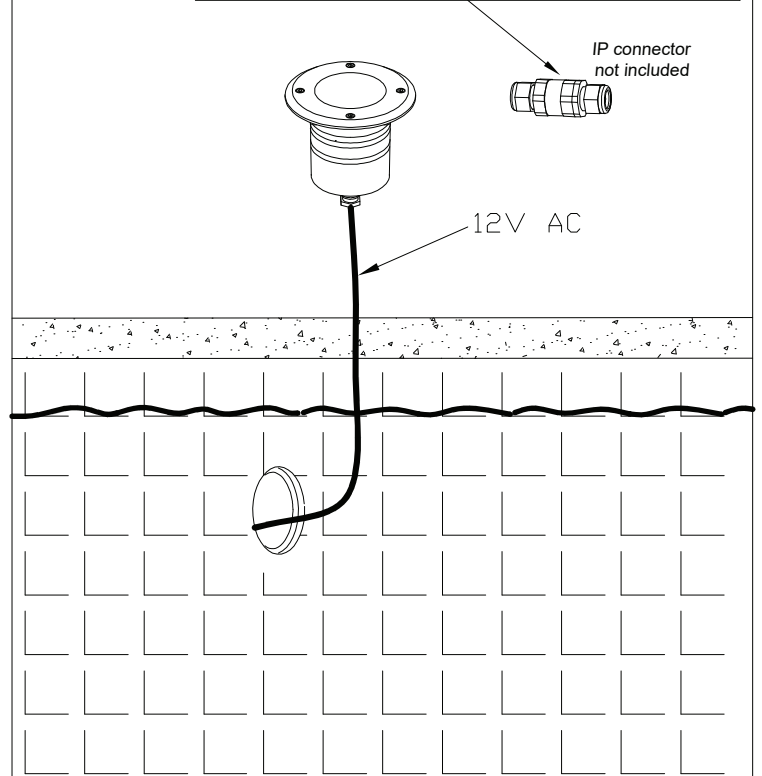
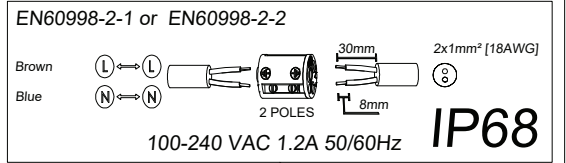
CRISTAL TEMPLADO TRANSPARENTE
TRANSPARENT TEMPERED GLASS

ACERO INOXIDABLE AISI 316
STAINLESS STEEL AISI 316

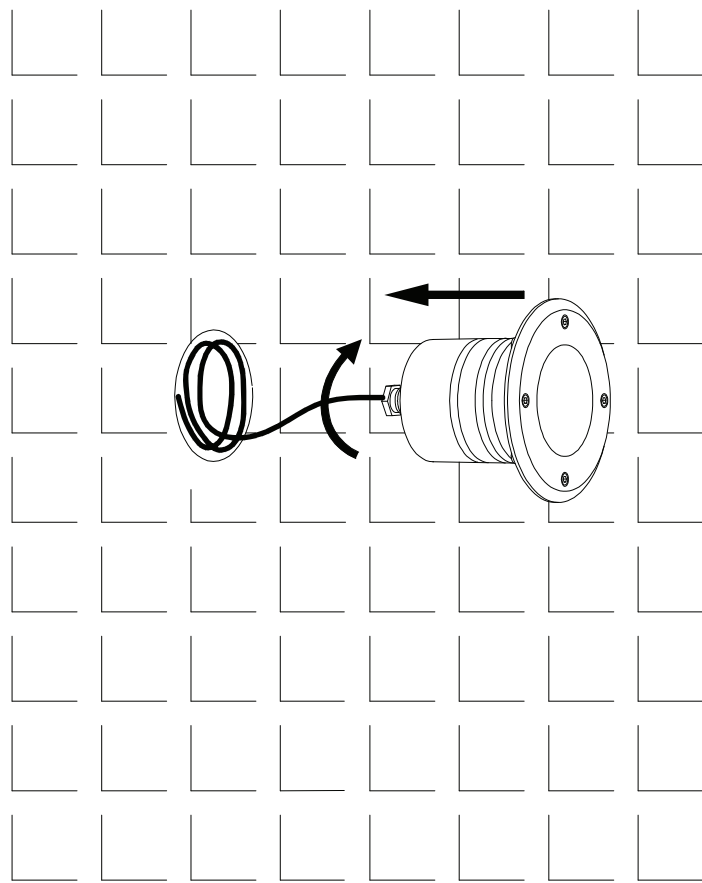
①



②



③



④

